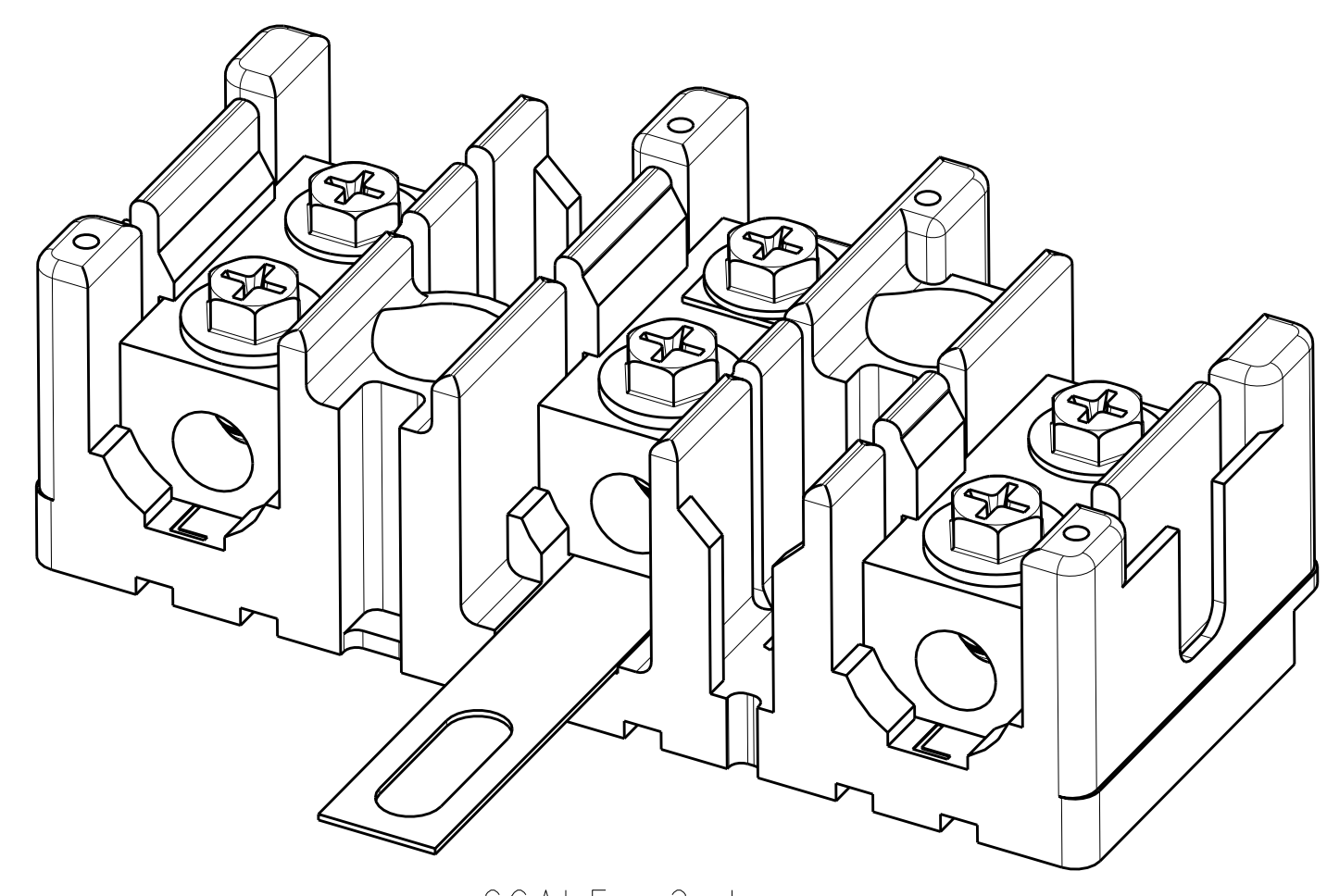
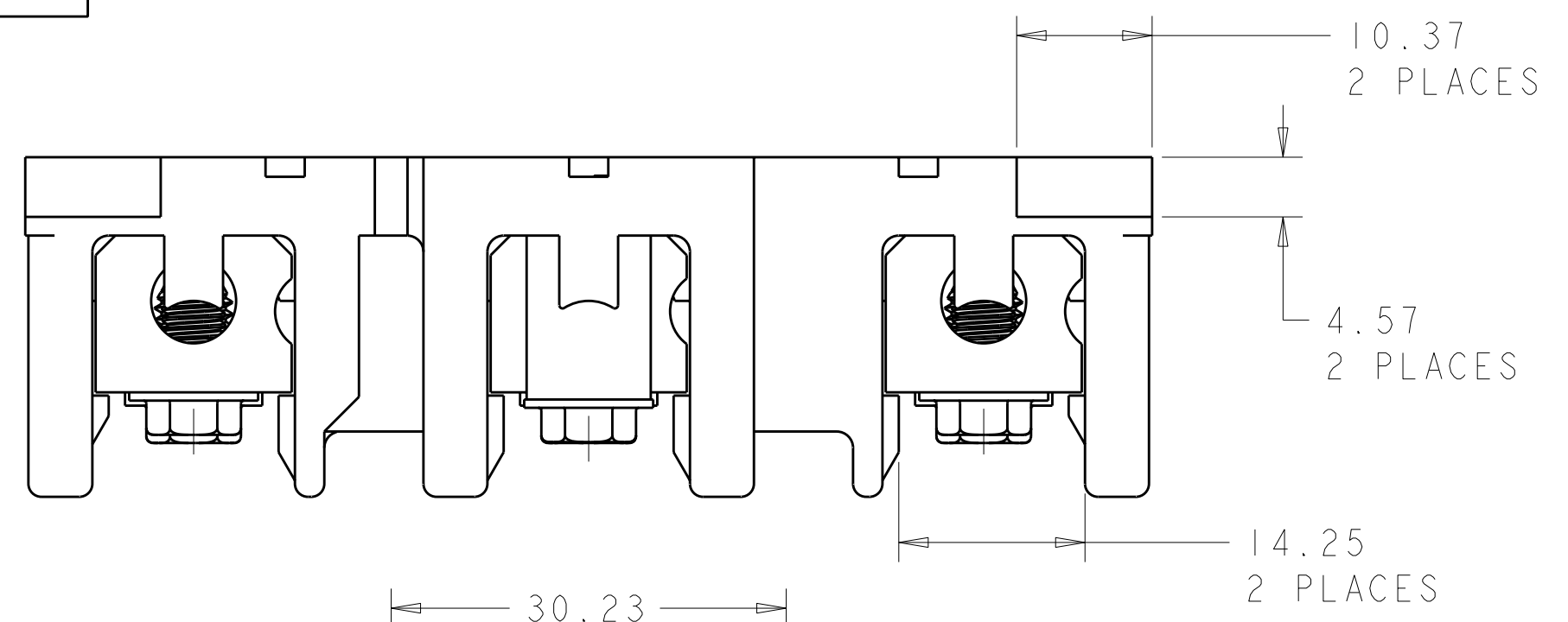
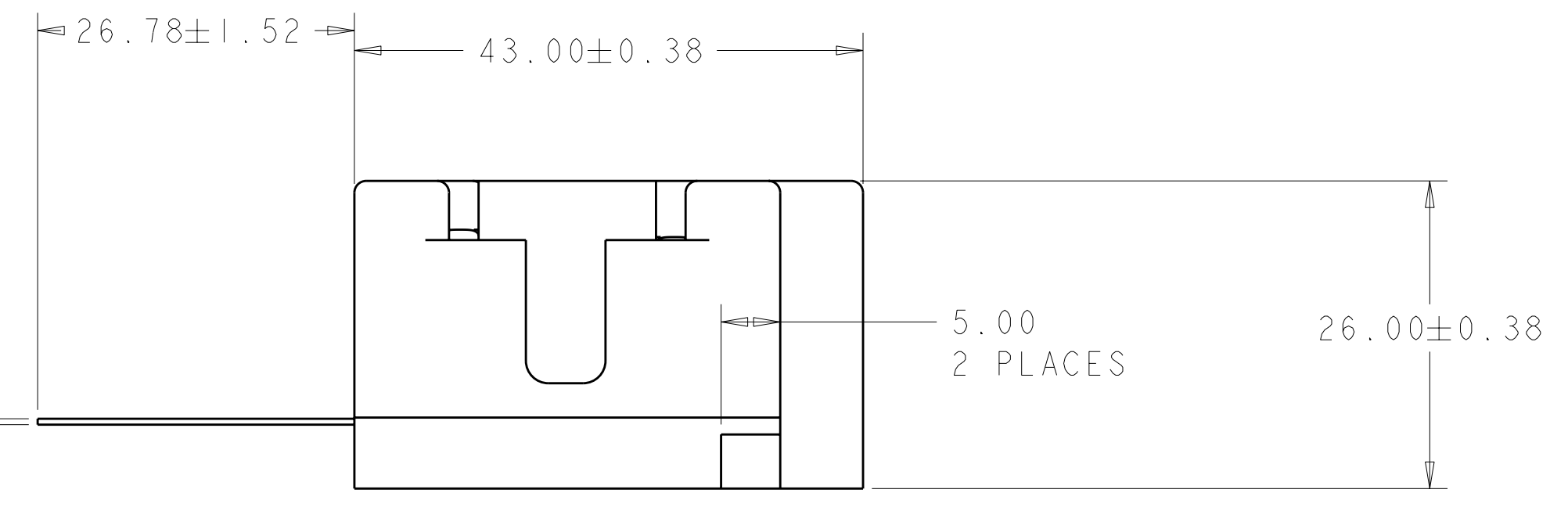
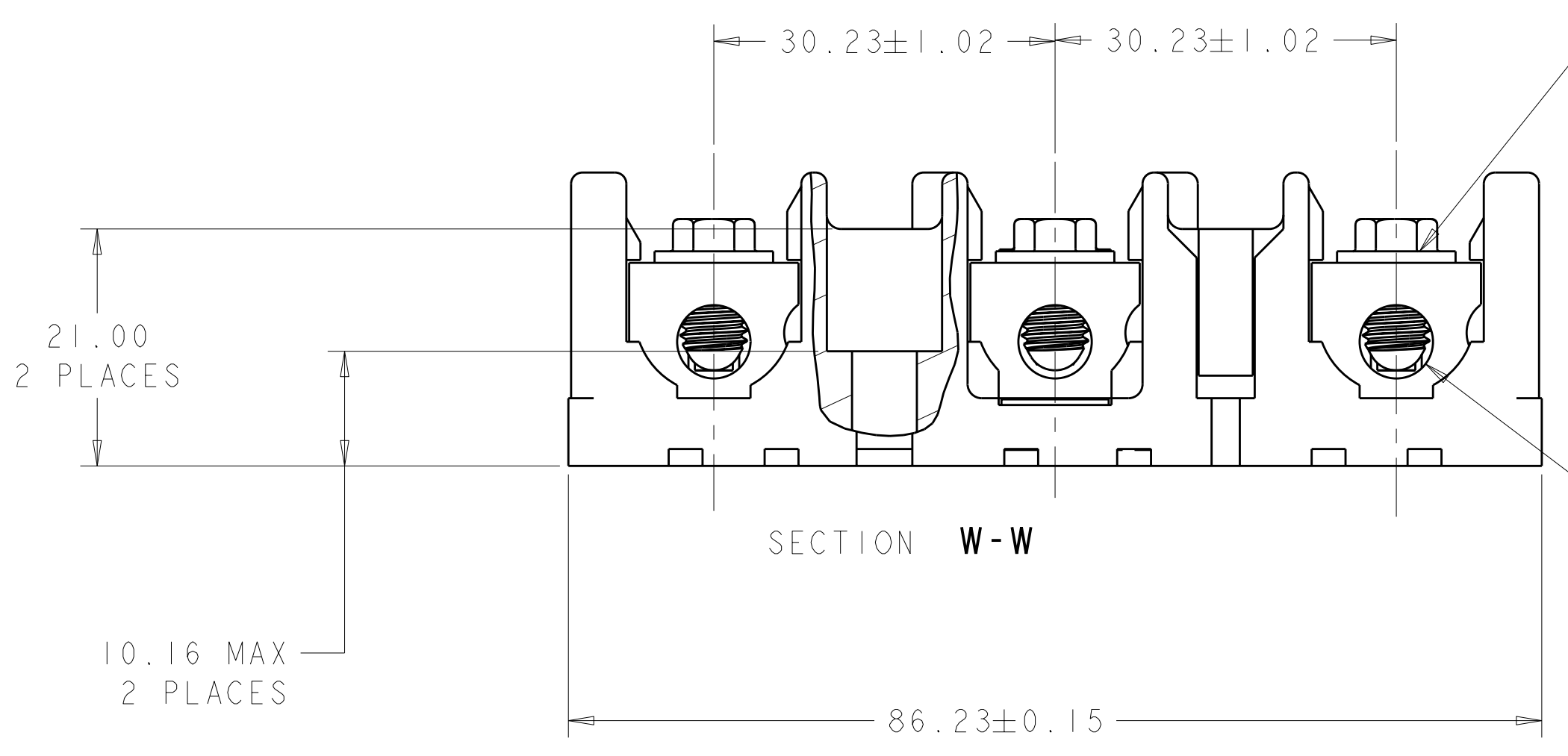
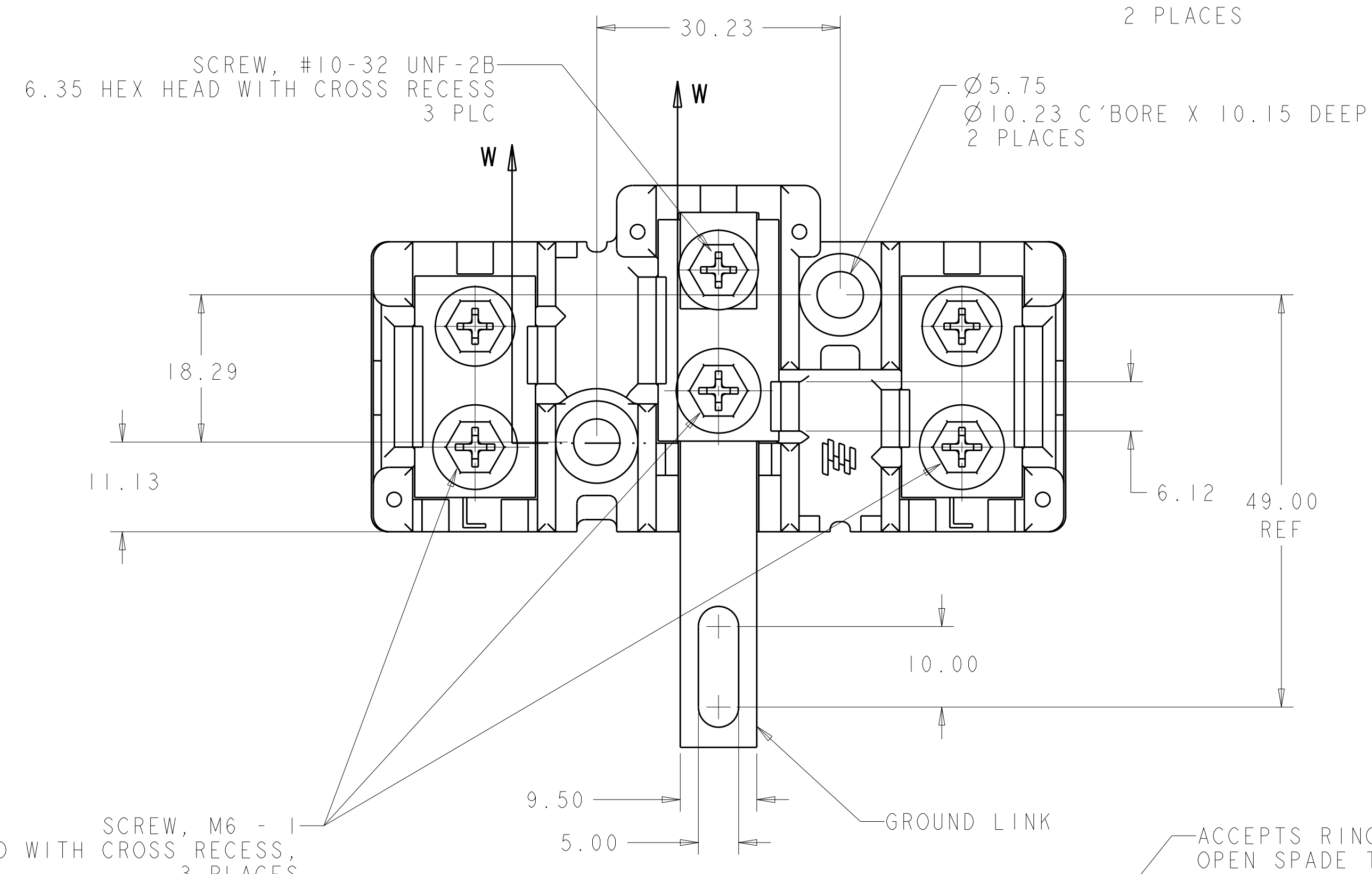


LOC	DIST	REVISIONS			
REV	DATE	DESCRIPTION	DATE	BY	APPD
AF	50				
E3		REVISED PER ECR-07-028129	05DEC2007	HMR	DD
F		REVISED PER ECR-08-004342	26FEB2008	HMR	DD
G		REVISED PER ECR-08-005626	29APR2008	HMR	GJ
H		REVISED PER ECR-08-011078	05AM2008	HMR	GJ



SCALE 2:1

- 1 MATERIAL:
HOUSING: PBT, UL 94 V-0, COLOR:BLACK
SCREWS (6mm AND #10): STEEL
CLAMP BLOCK: ALUMINUM
GROUND LINK: COPPER
- 2 FINISH:
6mm SCREW: ZINC
#10-32 SCREW: NICKEL
CLAMP BLOCK: TIN
- 3 THIS PRODUCT HAS NOT COMPLETED VALIDATION TESTING.
- 4 DESIGNED FOR USE IN ELECTRIC RANGES AND RECOGNIZED UNDER UL/CSA REQUIREMENTS; CONDITIONS OF ACCEPTABILITY APPLY PER UL FILE, SEE APPLICATION SPECIFICATION.
- 5 SCREWS PACKAGED SEPARATELY IN POLY BAG.
- 6 SCREWS BULK PACKAGED
- 7 SEE DRAWING C-1604657 FOR REQUIRED SCREWS
- 8 PRELIMINARY - NOT FOR PRODUCTION
- 9 PRE-PRODUCTION - FASR REQUIRED
- 10 SCREWS PACKED 360 IN POLY BAG



-	-	3	SUPPLIED UNINSTALLED	1604532-9
3	SUPPLIED UNINSTALLED	-	-	1604532-8
-		3	INSTALLED	1604532-7
3	SUPPLIED UNINSTALLED	3	INSTALLED	1604532-6
-	-	-	-	1604532-5
3	INSTALLED	3	SUPPLIED UNINSTALLED	1604532-4
3	SUPPLIED UNINSTALLED	3	INSTALLED	1604532-3
3	INSTALLED	3	INSTALLED	1604532-2
-	-	3	SUPPLIED UNINSTALLED	1604532-1
QTY	#10-32 UNF	QTY	M6 - 1	
SCREW ASSEMBLY OPTIONS				ASSEMBLY PART NUMBER

DIMENSIONS: mm 		TOLERANCES UNLESS OTHERWISE SPECIFIED: 9 PLC ± 5 PLC ±0.25 4 PLC ± ANGLES ±1°		DWN R FLAIG 09NOV2004 CHK D DECKER 09NOV2004 APVD D DECKER 09NOV2004		Tyco Electronics Tyco Electronics Harrisburg, PA 17105-3608	
MATERIAL 		FINISH 		NAME ASSEMBLY, TERMINAL BLOCK LOW PROFILE POWER BLOCK		SIZE CAGE CODE DRAWING NO A11 00779 C-1604532	
CUSTOMER DRAWING				WEIGHT 114-13100		RESTRICTED TO SCALE 2:1 SHEET 1 OF 1 REV H	